

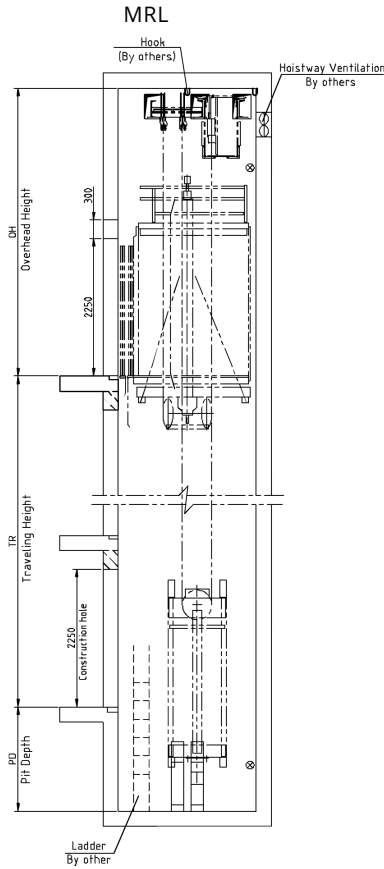


**MACHINE ROOMLESS (MRL) / MINI MACHINE ROOM (MMR)  
HOSPITAL LIFT**

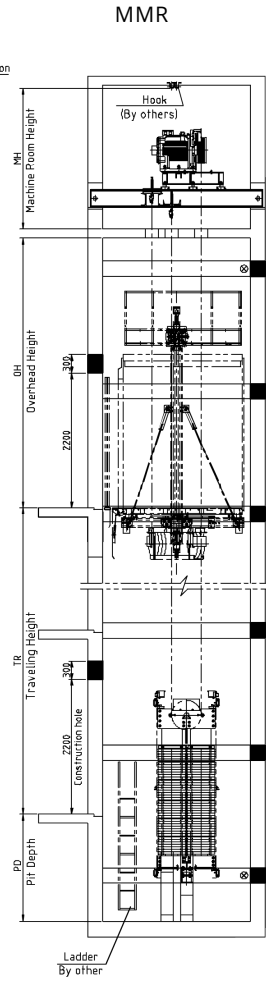


**GEARLESS TRACTION MACHINE  
ROPING 2:1**

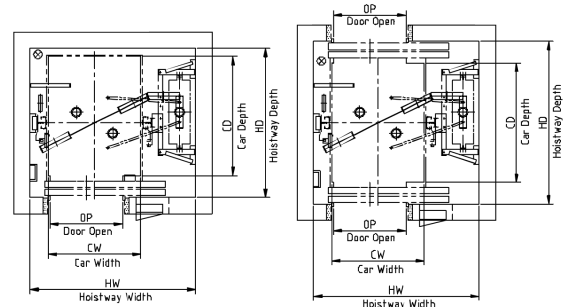
LIFT SHAFT - SECTION VIEW



LIFT SHAFT - SECTION VIEW

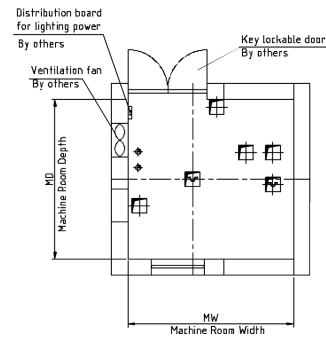


HOISTWAY PLAN



Single Entrance

Through Entrance



MACHINE ROOM PLAN

CAPACITY		CAR			DOOR		SHAFT		THROUGH OPENING
Load kg	Person P	Type CT	Width CW	Depth CD	Type DT	Opening DO	Width HW	Depth HD	TD
1600	21	Deep	1400	2400	250	1100	2500	2850	3050
2000	26		1600	2500		1400	2700	2950	3150
			1500	2600		1300	2600	3100	3250

Max Travel: 75m

Type	Speed	Capacity kg	Overhead mm	Pit mm	Car Clear Height mm	Door Height mm
	m/s					
MRL	1.0	1600	4400	1650	2300 with Suspension Ceiling	2100
		2000	4600			
	1.5	1600	4550	1750		
		2000	4750			
	1.75	1600	4600	1800		
		2000	4800			
MMR	1.0	1600	3950	1650	2300 with Suspension Ceiling	2100
		2000	4150			
	1.5	1600	4100	1750		
		2000	4300			
	1.75	1600	4150	1800		
		2000	4350			